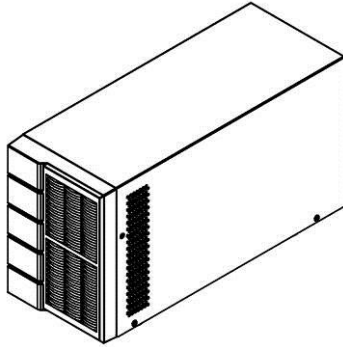


CyberPower®



BPSE36V45A / BPSE72V45A User's Manual

K01- C000037-01

IMPORTANT SAFETY INSTRUCTIONS

This manual contains important instructions. Please read and follow all instructions carefully during installation and operation of the unit. Read this manual thoroughly before attempting to unpack, install, or operate the Battery modules.

CAUTION! The UPS unit must be connected to a grounded AC power outlet with fuse or circuit breaker protection. The Battery modules grounded are through the UPS.

CAUTION! The battery can power hazardous components inside the unit, even when the AC input power is disconnected.

CAUTION! To prevent the risk of fire or electric shock, install in a temperature and humidity controlled indoor area, free of conductive contaminants. (Please see specifications for acceptable temperature and humidity range).

CAUTION! (No User Serviceable Parts): Risk of electric shock, do not remove cover. No user serviceable parts inside. Refer servicing to qualified service personnel.

CAUTION! (Non-Isolated Battery Supply): Risk of electric shock, battery circuit is not isolated from AC power source; hazardous voltage may exist between battery terminals and ground. Test before touching.

CAUTION! Wiring must be done by qualified personnel.

CAUTION! DO NOT USE WITH OR NEAR AQUARIUMS! To reduce the risk of fire, do not use with or near aquariums. Condensation from the aquarium can come in contact with metal electrical contacts and cause the machine to short out.

CAUTION! Do not dispose of batteries in fire as the battery may explode.

CAUTION! Do not open or mutilate the battery, released electrolyte is harmful to the skin and eyes.

CAUTION! A battery can present a risk of electric shock and high short circuit current. The following precaution should be observed when working on batteries

1. Remove watches, rings or other metal objects.
2. Use tools with insulated handles.

CAUTION! Make sure everything is turned off and disconnected completely before conducting any maintenance, repairs or shipment.

CAUTION! Connect the Protection Earth (PE) safety conductor before any other cables are connected.

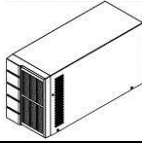

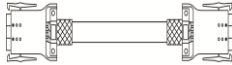
DO NOT INSTALL THE UNIT WHERE IT WOULD BE EXPOSED TO DIRECT SUNLIGHT OR NEAR A STRONG HEAT SOURCE!

SERVICING OF BATTERIES SHOULD BE PERFORMED OR SUPERVISED BY PERSONNEL KNOWLEDGE OF BATTERIES AND THE REQUIRED PRECAUTIONS. KEEP UNAUTHORIZED PERSONNEL AWAY FROM BATTERIES!

UNPACKING

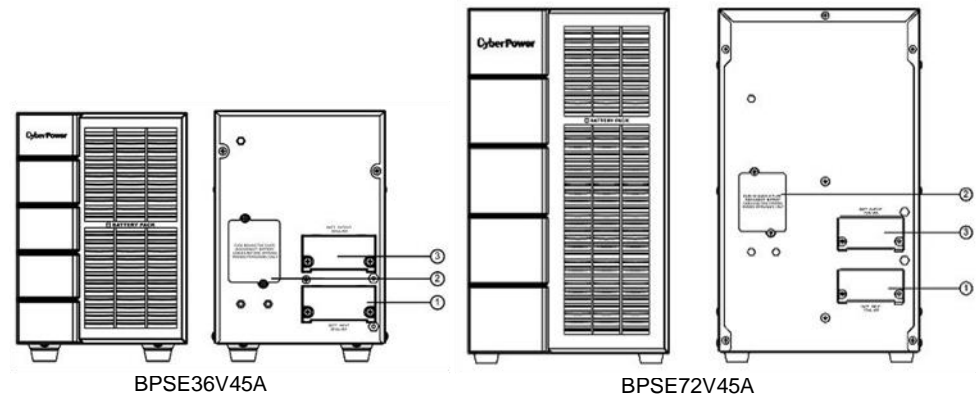
UNPACKING

The box should contain the following:

	Battery Module
	User's manual
	Battery Cable

BASIC OPERATION

FRONT/REAR PANEL DESCRIPTION



BPSE36V45A

BPSE72V45A

1. Input Connector

Use this input connector to daisy chain the next Battery module. Remove the connector cover for access.

2. On-board Replaceable Fuse Cover

Replaceable fuse is accessible from the rear panel. It must be done by qualified personnel.

3. Battery Output Connector

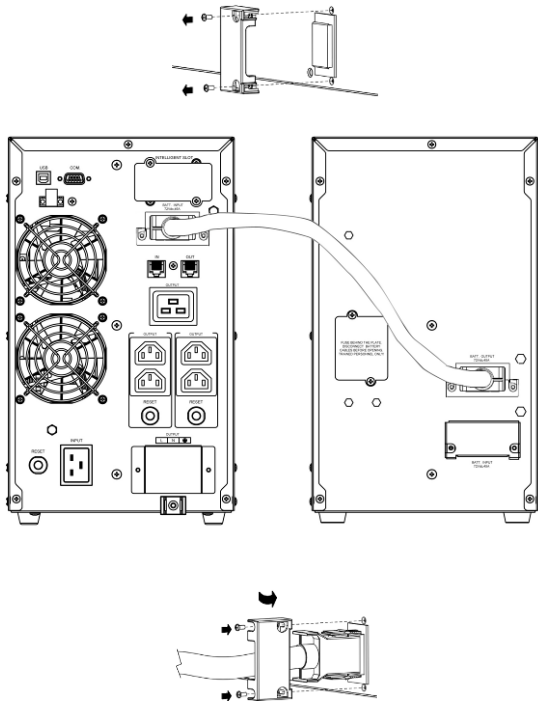
Use this output Connector to connect the Battery module to the Power module or to the next Battery module.

CONNECTION #1 : POWER MODULE(UPS) WITH ONE BATTERY MODULE

Step 1: Loosen the two screws to remove the battery cable retention bracket of the Power module.

Step 2: Use the battery cable of the Battery module to connect the Battery module to the Power module.

Step 3: Rotate the battery cable retention bracket and tighten the two screws to fix battery cable.



CONNECTION #2 : POWER MODULE(UPS) WITH MULTIPLE BATTERY MODULES

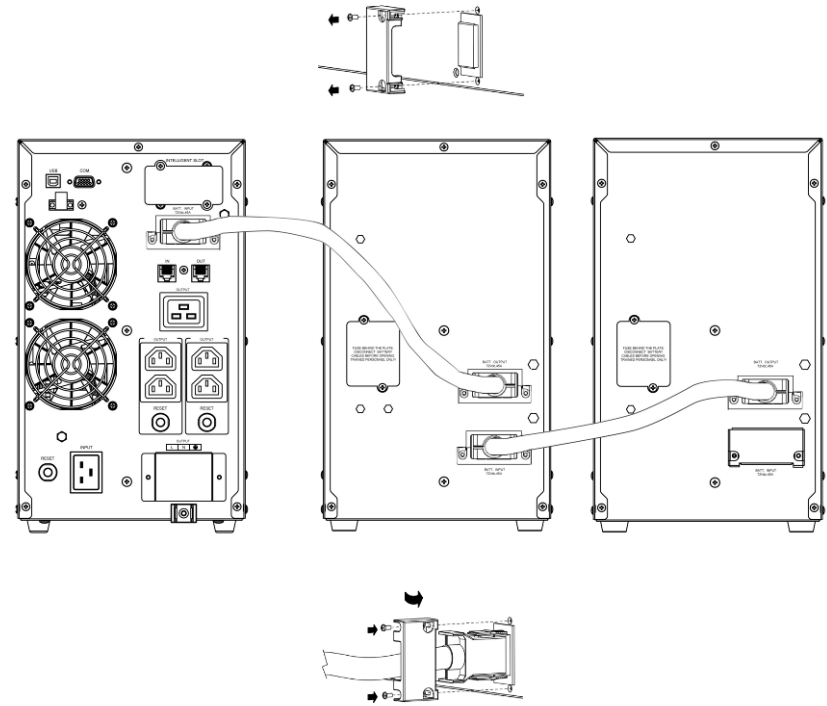
Step 1: Connect the 1st Battery module to the Power module using battery cable. (Refer to above steps of connection #1)

Step 2: Loosen the two screws to remove the battery cable retention bracket of the 1st battery

module.

Step 3: Use the battery cable to connect the 2nd Battery module to the 1st Battery module.

Step 4: Rotate the battery cable retention bracket and tighten the two screws to fix battery cable.



TECHNICAL SPECIFICATIONS

Model	BPSE36V45A	BPSE72V45A
Battery		
Sealed Maintenance Free Lead Acid Battery	12V / 7Ah x3pcs x2sets	12V / 7Ah x6pcs x2sets
Rated Battery Voltage	36Vdc	72Vdc
Overload Protection	Fuse	
Physical		
Maximum Dimensions (HxWxD) (mm)	225 x 151 x 394	337 x 196 x 416
Weight (kg)	17.2	34.2
Environment		
Operating Temperature	0°C to 40°C	
Relative Humidity	0 to 90% (Non-condensing)	

For more information, visit www.cyberpower.com
All rights reserved. Reproduction without permission is prohibited.

